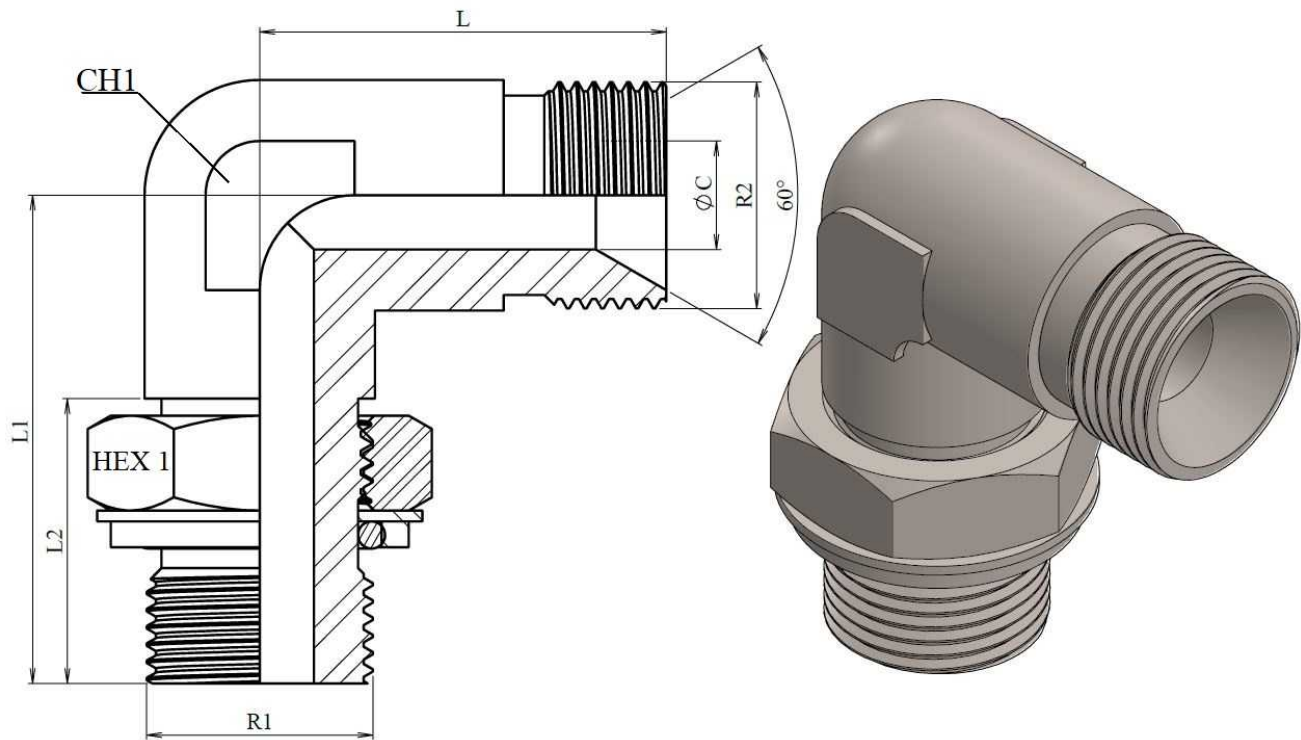


BSP Adaptors

Forging elbows

90° Adjustable stud elbow male-male BSP

Stainless Steel AISI 316-L



Part n°	R1	R2	L	L1	L2	HEX 1	CH1	ØC
Z119704	1/4" BSP	1/4" BSP	26	37	20	19	14	6
Z119706	3/8" BSP	3/8" BSP	30	36	21	22	17	20
Z119708	1/2" BSP	1/2" BSP	35	43	27,5	27	22	11
Z119712	3/4" BSP	3/4" BSP	42	47	29,8	36	27	28,5
Z119716	1" BSP	1" BSP	47	54	31	41	36	22