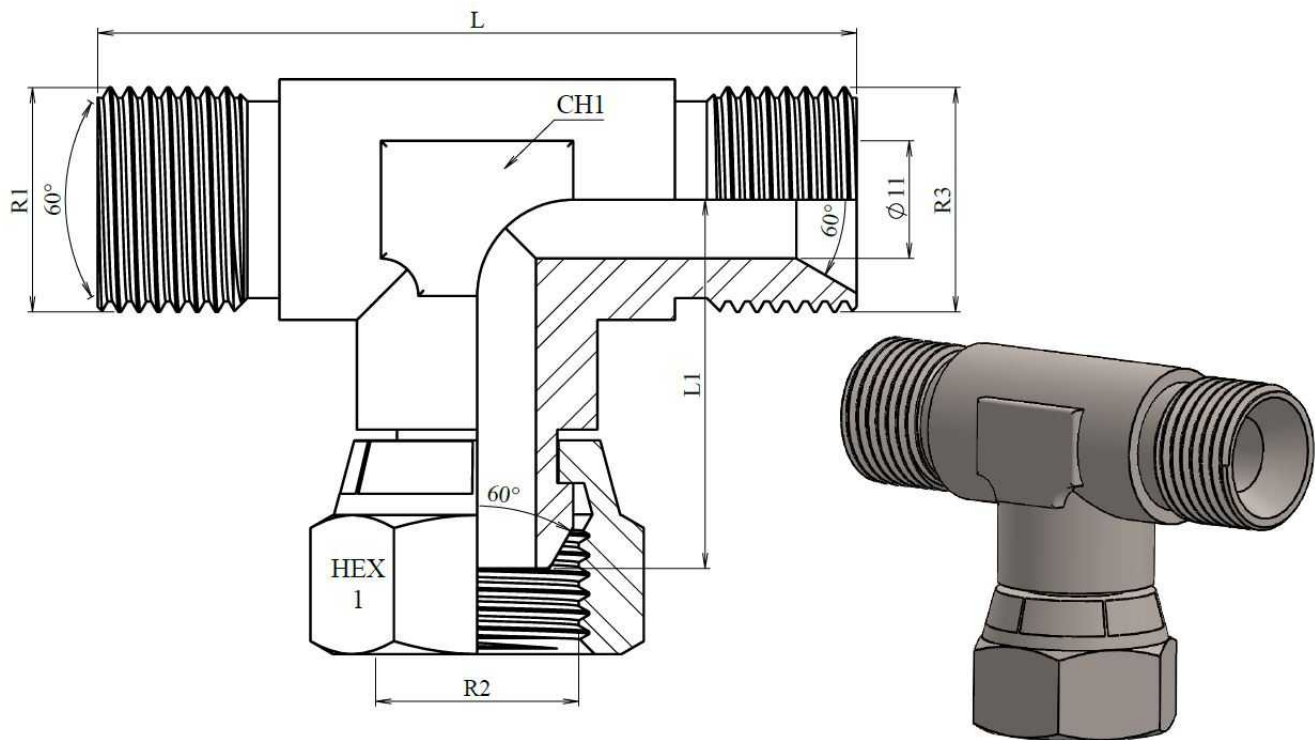


BSP Adaptors

Forging Tees and crosses

Tees BSP 60° male - swivel female - male

Stainless Steel AISI 316-L



Part nº	R1	R2	R3	L	L1	HEX 1	CH1	ØC
Z122404	M 1/4" BSP	H 1/4" BSP	M 1/4" BSP	50,8	27	19	14	5
Z122406	M 3/8" BSP	H 3/8" BSP	M 3/8" BSP	53,8	29	22	20	8
Z122408	M 1/2" BSP	H 1/2" BSP	M 1/2" BSP	63	35	27	24	11
Z122412	M 3/4" BSP	H 3/4" BSP	M 3/4" BSP	76,2	43	32	28	16
Z122416	M 1" BSP	H 1" BSP	M 1" BSP	89	50,5	41	36	22
Z122420	M 1"1/4 BSP	H 1"1/4 BSP	M 1"1/4 BSP	101,6	52,9	50	41	28
Z122424	M 1"1/2 BSP	H 1"1/2 BSP	M 1"1/2 BSP	108	54	55	41	30